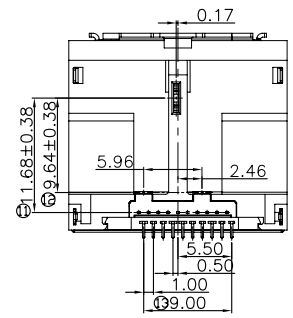
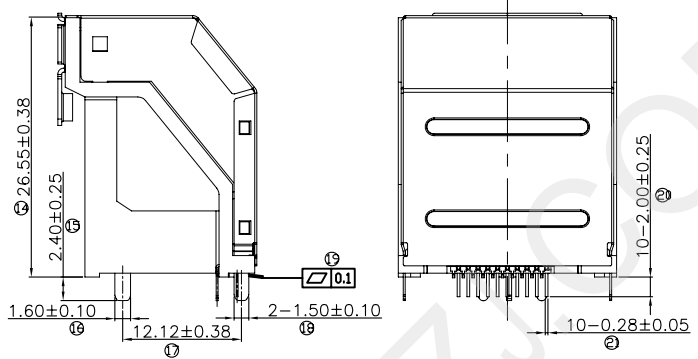
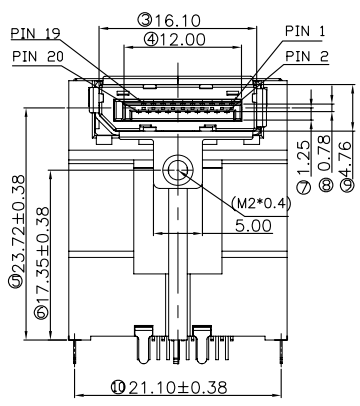
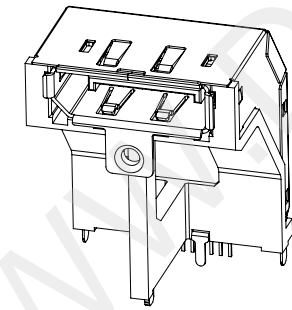


RECOMMENDED P.C.B. LAYOUT  
TOLERANCE±0.05  
TOP VIEW




SOURCE SIDE		SINK SIDE	
PIN NO.	PIN NAME	PIN NO.	PIN NAME
1	ML_Lane 0 (p)	1	ML_Lane 3 (n)
2	GND	2	GND
3	ML_Lane 0 (n)	3	ML_Lane 3 (p)
4	ML_Lane 1 (p)	4	ML_Lane 2 (n)
5	GND	5	GND
6	ML_Lane 1 (n)	6	ML_Lane 2 (p)
7	ML_Lane 2 (p)	7	ML_Lane 1 (n)
8	GND	8	GND
9	ML_Lane 2 (n)	9	ML_Lane 1 (p)
10	ML_Lane 3 (p)	10	ML_Lane 0 (n)
11	GND	11	GND
12	ML_Lane 3 (n)	12	ML_Lane 0 (p)
13	CONFIG1	13	CONFIG1
14	CONFIG2	14	CONFIG2
15	AUX CH (p)	15	AUX CH (p)
16	GND	16	GND
17	AUX CH (n)	17	AUX CH (n)
18	Hot Plug Detect	18	Hot Plug Detect
9	Return	19	Return
20	DP_PWP	0	DP_PWR

SPECIFICATION

- CURRENT RATING : 0.5A. MAX.
- DIELECTRIC WITHSTANDING VOLTAGE  
500V AC R.M.S. FOR ONE MINUTE.
- INSULATION RESISTANCE : 100MΩ MIN.  
AT 500V DC
- CONTACT RESISTANCE : 30mΩ MAX.
- OPERATING TEMPERATURE : -25°C TO +85°C.
- DURABILITY : 10000 CYCLES.
- MATING FORCE : 4.5kgf MAX.
- UNMATING FORCE : 1.0kgf MIN.

MATERIALS

- HOUSING : LCP (UL94V-0),BLACK.
- BRACKET : LCP (UL94V-0),BLACK.
- TERMINAL: COPPER ALLOY  
GOLD FLASH PLATED ON CONTACT AREA, MATTE TIN  
PLATED ON SOLDER TAILS, NICKEL UNDER 50u" MIN  
PLATED OVER ALL.
- SHELL: STAINLESS STEEL
- EMI SHELL(BACK): STAINLESS STEEL  
NICKEL 50u" MIN PLATED OVERALL
- EMI SHELL(FRONT): STAINLESS STEEL.  
NICKEL 50u" MIN PLATED OVERALL
- BOARD LOCK: SPC, TIN 100u" MIN PLATED OVERALL.



## 深圳市华宇创精密电子有限公司

<b>TOLERANCE:</b> X.X ±0.30 X.XX ±0.25 X.XXX ±0.15 X' ±2' X.X' ±0.5'	<b>DRAWN BY :</b> 陈一鸣	<b>DATE :</b> 2014-02-23	<b>PART NAME:</b> DP 加高 (H=23.72)
	<b>CHECKED BY:</b> 马跃	<b>DATE :</b> 2014-02-23	<b>PART NO.</b> HYC22-DP20-265 <b>MOLD NO.</b>
<b>UNIT:</b> mm [inch] <b>SCALE:</b> 1:1 <b>SIZE:</b> A4	<b>APPROVED BY:</b> 邱国夷	<b>DATE :</b> 2014-02-23	<b>DRAW NO:</b> HYC-1804191414 <b>SHEET NO.</b> 1 OF 1